

THE PROPERTY OF THIS DRAWING IS ESTABLISHED BY LAW  
IT IS FORBIDDEN TO REPRODUCE IT OR SHOW IT TO THIRD PARTY  
WITHOUT A WRITTEN AGREEMENT.

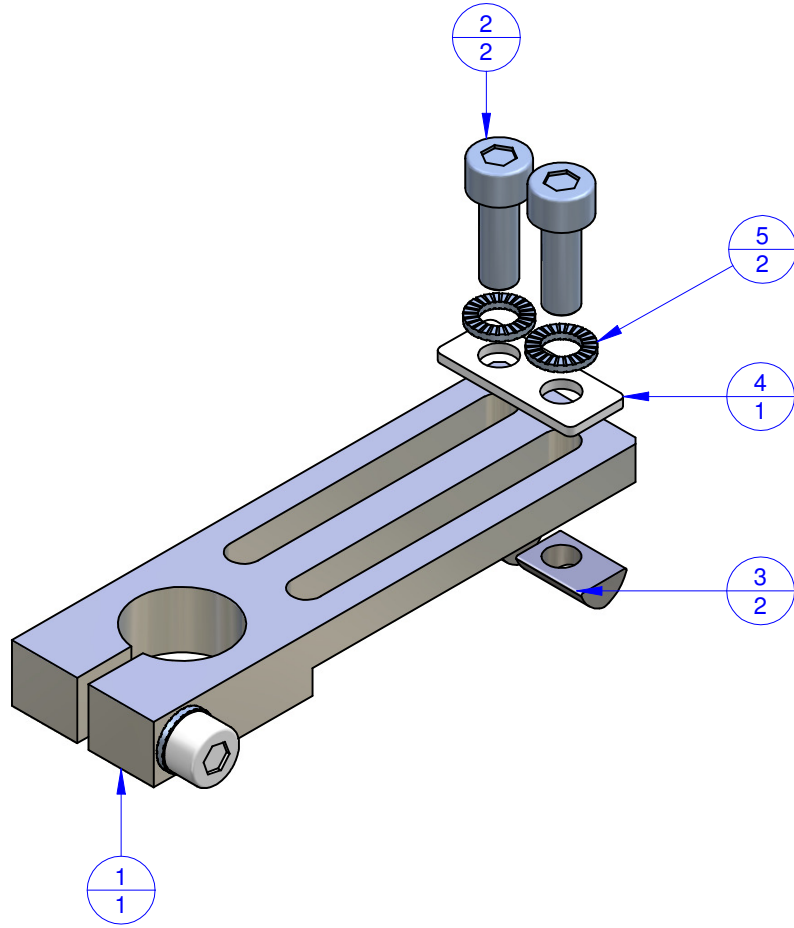
MODIFICATIONS: VARIED DIMENSIONS AS OF DATE:

7	10
8	11
9	12

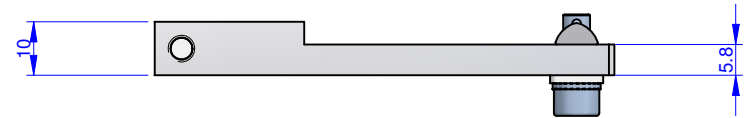
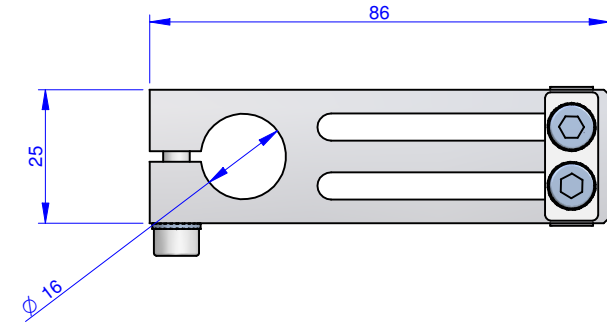
MODIFICATIONS: VARIED DIMENSIONS AS OF DATE:

1	4
2	5
3	6

Format **A3**  
UNI 936-76



Object Number	Name	QTY
1	CA.04.02.16	1
2	V.TCEI M5X14	2
3	CA.02.05.003	2
4	R.05.11	1
5	R.5.SCH	2



<b>FP Services</b>		DESIGNED FROM FPSERVICES	
GENERAL TOLERANCE: UNI - ISO 2768 CLASSE f		DATE 09/2013	WEIGHT 0,046 kg
DESCRIPTION		CODE <b>CA.04.02.16.5</b>	